

## MW2520 SERIES ~ Wire Wound Ferrite Chip Inductors

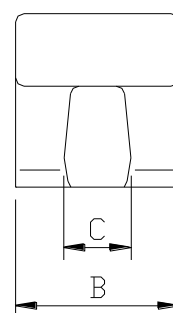
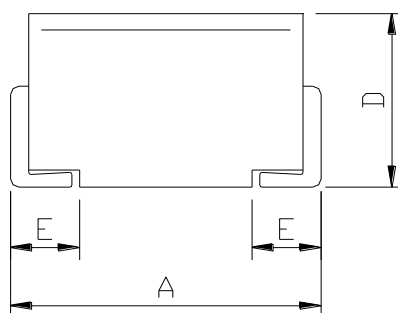
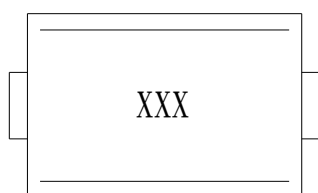


### PART NUMBERING SYSTEM

<b>MW</b>	<b>2520</b>	—	<b>1R5J</b>	—	<b>LF</b>
TYPE	DIMENSIONS		INDUCTANCE		LEAD FREE

### SHAPES AND DIMENSIONS

UNIT : mm



A=2.5±0.2 B=2.0±0.2 C=1.4±0.1 D=1.8±0.2 E=0.45 Ref.

### SPECIFICATION TABLE

PART NUMBER	INDUCTANCE ( $\mu$ H)	Q. MIN.	TEST FREQ (MHz)	SRF (MHz) MIN.	DCR ( $\Omega$ ) (max)	IDC (mA) (max)
MW2520-R12K-LF	0.12±10%	30	25.2	600	0.37	520
MW2520-R15K-LF	0.15±10%	30	25,2	550	0.42	480
MW2520-R18K-LF	0.18±10%	30	25.2	500	0.46	460
MW2520-R22K-LF	0.22±10%	30	25,2	450	0.52	430
MW2520-R27K-LF	0.27±10%	30	25.2	425	0.60	420
MW2520-R33K-LF	0.33±10%	30	25,2	400	0.65	400
MW2520-R39K-LF	0.39±10%	30	25.2	375	0.68	375
MW2520-R47K-LF	0.47±10%	30	25,2	350	0.75	350
MW2520-R56K-LF	0.56±10%	30	25.2	300	0.85	325



## MW2520 SERIES ~ Wire Wound Ferrite Chip Inductors



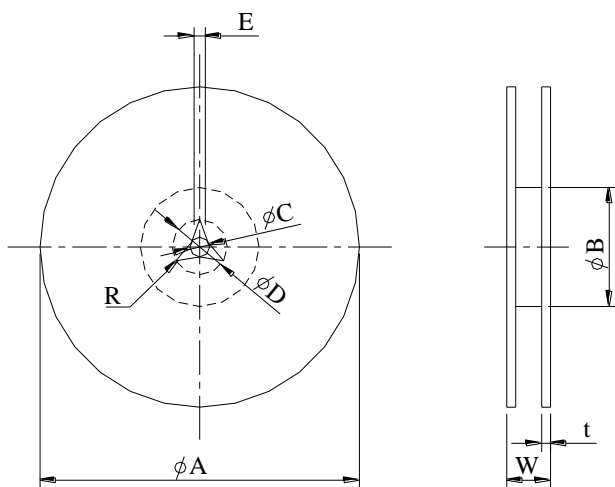
### SPECIFICATION TABLE

PART NUMBER	INDUCTANCE ( $\mu$ H)	Q. MIN.	TEST FREQ (MHz)	SRF (MHz) MIN.	DCR ( $\Omega$ ) (max)	IDC (mA) (max)
MW2520-R68K-LF	0.68 $\pm$ 10%	30	25.2	270	0.85	300
MW2520-R82K-LF	0.82 $\pm$ 10%	30	25.2	250	1.00	260
MW2520-1R0J-LF	1.0 $\pm$ 5%	30	7.96	245	1.10	245
MW2520-1R2J-LF	1.2 $\pm$ 5%	30	7.96	230	1.20	230
MW2520-1R5J-LF	1.5 $\pm$ 5%	30	7.96	182	1.30	220
MW2520-1R8J-LF	1.8 $\pm$ 5%	30	7.96	135	1.45	210
MW2520-2R2J-LF	2.2 $\pm$ 5%	30	7.96	105	1.55	200
MW2520-2R7J-LF	2.7 $\pm$ 5%	30	7.96	70	1.70	195
MW2520-3R3J-LF	3.3 $\pm$ 5%	30	7.96	55	1.90	185
MW2520-3R9J-LF	3.9 $\pm$ 5%	30	7.96	48	2.10	180
MW2520-4R7J-LF	4.7 $\pm$ 5%	30	7.96	43	2.30	175
MW2520-5R6J-LF	5.6 $\pm$ 5%	25	7.96	42	2.50	170
MW2520-6R8J-LF	6.8 $\pm$ 5%	25	7.96	39	2.70	165
MW2520-8R2J-LF	8.2 $\pm$ 5%	25	7.96	36	3.05	160
MW2520-100J-LF	10.0 $\pm$ 5%	25	2.52	33	3.50	155
MW2520-120J-LF	12.0 $\pm$ 5%	25	2.52	30	3.80	150
MW2520-150J-LF	15.0 $\pm$ 5%	25	2.52	26	4.40	140
MW2520-180J-LF	18.0 $\pm$ 5%	25	2.52	24	4.80	130
MW2520-220J-LF	22.0 $\pm$ 5%	25	2.52	22	5.50	125
MW2520-270J-LF	27.0 $\pm$ 5%	25	2.52	21	6.30	115
MW2520-330J-LF	33.0 $\pm$ 5%	25	2.52	20	7.10	110
MW2520-390J-LF	39.0 $\pm$ 5%	20	2.52	18	9.50	90
MW2520-470J-LF	47.0 $\pm$ 5%	20	2.52	17	11.10	80
MW2520-560J-LF	56.0 $\pm$ 5%	20	2.52	16	12.10	75
MW2520-680J-LF	68.0 $\pm$ 5%	20	2.52	15	16.60	70
MW2520-820J-LF	82.0 $\pm$ 5%	20	2.52	13	19.00	66
MW2520-101J-LF	100 $\pm$ 5%	15	0.769	12	21.00	60

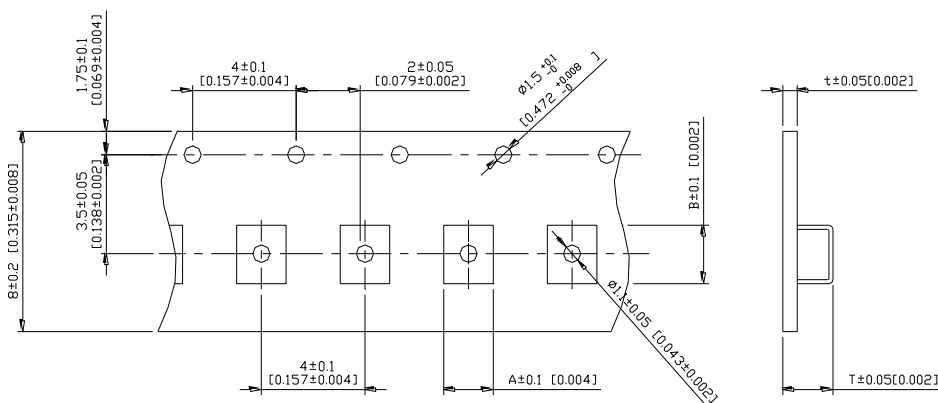
# MW2520 SERIES ~ Wire Wound Ferrite Chip Inductors



## PACKAGING SPECIFICATION



	A	B	C	D	E	W8	W12	t	R
T( $\psi 178\text{mm}$ ) Reel	$\psi 178 \pm 2$	$\psi 60 \pm 1$	$\psi 13 \pm 0.8$	$\psi 21 \pm 0.8$	2	$10 \pm 1.5$	$14.5 \pm 1.5$	$1.27 \pm 0.2$	1



TYPE	A	B	T	t	T( $\psi 178\text{mm}$ )	T( $\psi 330\text{mm}$ )
MW2520	1.90	3.50	1.40	0.2	3000 pcs/reel	-